

## Compression Load Cell

### FEATURES

- Capacities: 30, 40 and 50 t
- Self-aligning, stainless steel single column
- Hermetically sealed, IP66/68/69K
- Certified to OIML R60 5500d and NTEP IIL/10,000 d
- Built-in surge protection
- Current calibration output ensures the easy and accurate parallel calibration of multiple load cells
- Compatible with original Model ASC
- **Optional**
  - Digital version available (Model DSC2)



### APPLICATIONS

- Weighbridges
- Process weighing

This product is suitable for use in road and rail weighbridges and process weighing applications.

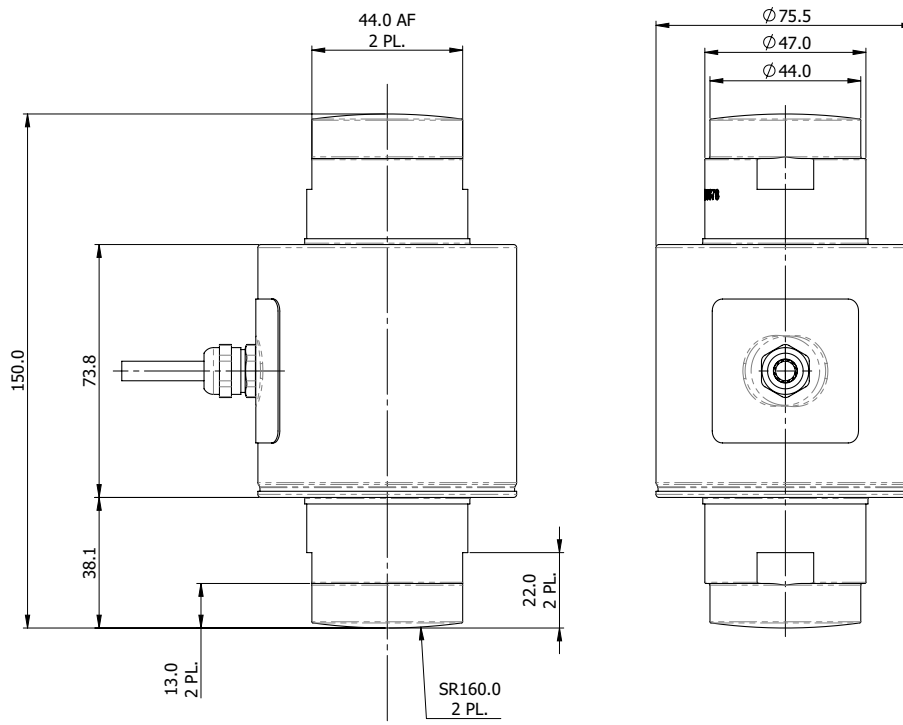
### DESCRIPTION

The Model ASC2 is a single column, stainless steel compression load cell fully compatible with original Model ASC.

The fully welded construction and built-in surge protection ensures that this product can be used successfully in many harsh environments.

This load cell meets the stringent Weights and Measures requirements throughout Europe and the Americas.

### OUTLINE DIMENSIONS in millimeters



#### Cable specifications

Cable length:	15m
Excitation +	Green
Excitation -	Black
Output +	White
Output -	Red

Shield is a bare twisted braid.

## Compression Load Cell

SPECIFICATIONS							
PARAMETER	VALUE						UNIT
VPG Accuracy class	I3 (NTEP)	F3	G5	G3	H4	J6	
Minimum utilization		33	50	32	43	64	% of R.C.
NTEP Accuracy class/ $n_{max}$	III/10000 Multiple						
OIML Accuracy class		C2	C3	C3MR10	C4MR10	C5.5MR10	
Maximum no. of intervals (n)	10000	2000	3000	3000	4000	5500	
Rated capacity—R.C. ( $E_{max}$ )	30, 40, 50						t
Rated output—R.O.	2.0						mV/V
Rated output tolerance	0.02						$\pm$ mV/V
Zero balance	0.02						$\pm$ mV/V
Nominal U/R ratio	1.9740						$\mu$ A/ $\Omega$
U/R ratio error	0.08						$\pm$ %
Creep (30 min.)	0.050	0.025	0.025	0.025	0.018	0.013	$\pm$ % of load
Zero return (30 min.)	0.015	0.025	0.017	0.017	0.0125	0.009	$\pm$ % of load
Total error	0.030	0.030	0.020	0.020	0.015	0.010	$\pm$ % of R.O.
Temperature effect on output	0.0012	0.0012	0.0012	0.0012	0.00075	0.006	$\pm$ % of load/ $^{\circ}$ C
Temperature effect on zero	0.0014	0.0023	0.0023	0.0014	0.0014	0.0014	$\pm$ % of R.O./ $^{\circ}$ C
$Y = E_{max}/V_{min}$	9400	6000	6000	9400	9400	9400	
Temp. range, compensated	-10 to +40						$^{\circ}$ C
Temp. range, safe	-30 to +70						$^{\circ}$ C
Temp. range, storage	-40 to +90						$^{\circ}$ C
Maximum safe static overload	150						% of R.C.
Ultimate static overload	300						% of R.C.
Excitation, recommended	10						VDC or VAC RMS
Excitation, range	5-15						VDC or VAC RMS
Input impedance	1160 $\pm$ 60						$\Omega$
Output impedance	1011.5 $\pm$ 11.5						$\Omega$
Insulation resistance	>2000						M $\Omega$
Cable length	15 (49)						m (ft)
Cable type	4 conductors, 24 AWG, polyurethane jacket						
Color code	+exc. Green, -exc. Black, +sig. White, -sig. Red Shield (floating): Bare, twisted braid						
Construction	Stainless steel, welded seal						
Compensation circuit type	Balanced						
Balance symmetry	5.0						$\Omega$
Environmental protection	IP66/IP68 (100 hr at 1 m) / IP69K						
Outline dimensions DWG	264.000.00						

All specifications subject to change without notice.



## Disclaimer

ALL PRODUCTS, PRODUCT SPECIFICATIONS AND DATA ARE SUBJECT TO CHANGE WITHOUT NOTICE.

Vishay Precision Group, Inc., its affiliates, agents, and employees, and all persons acting on its or their behalf (collectively, "VPG"), disclaim any and all liability for any errors, inaccuracies or incompleteness contained herein or in any other disclosure relating to any product.

The product specifications do not expand or otherwise modify VPG's terms and conditions of purchase, including but not limited to, the warranty expressed therein.

VPG makes no warranty, representation or guarantee other than as set forth in the terms and conditions of purchase. **To the maximum extent permitted by applicable law, VPG disclaims (i) any and all liability arising out of the application or use of any product, (ii) any and all liability, including without limitation special, consequential or incidental damages, and (iii) any and all implied warranties, including warranties of fitness for particular purpose, non-infringement and merchantability.**

Information provided in datasheets and/or specifications may vary from actual results in different applications and performance may vary over time. Statements regarding the suitability of products for certain types of applications are based on VPG's knowledge of typical requirements that are often placed on VPG products. It is the customer's responsibility to validate that a particular product with the properties described in the product specification is suitable for use in a particular application. You should ensure you have the current version of the relevant information by contacting VPG prior to performing installation or use of the product, such as on our website at [vpgsensors.com](http://vpgsensors.com).

No license, express, implied, or otherwise, to any intellectual property rights is granted by this document, or by any conduct of VPG.

The products shown herein are not designed for use in life-saving or life-sustaining applications unless otherwise expressly indicated. Customers using or selling VPG products not expressly indicated for use in such applications do so entirely at their own risk and agree to fully indemnify VPG for any damages arising or resulting from such use or sale. Please contact authorized VPG personnel to obtain written terms and conditions regarding products designed for such applications.

Product names and markings noted herein may be trademarks of their respective owners.

Copyright Vishay Precision Group, Inc., 2014. All rights reserved.